



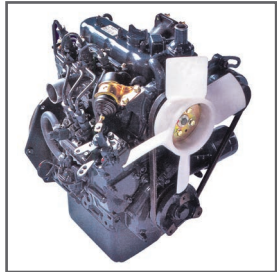
SERIES



PM-000182

KANGA MULTI-TASK COMPACT SKID STEER LOADER

Available with your choice of diesel or petrol engines the Kanga 6 series is designed and optimised to suit your specification. The Kanga 6 series is available with either the Kubota 25hp D902-E diesel engine or the Honda 28hp GX690 petrol engine.



25hp D902-E

A sturdy and trusted brand, the Kubota diesel engine delivers power and reliability. Three cylinder water cooled engine featuring Kubota's original TripleVortex Combustion System Indirect Injection (E-TVCS) is EPA certified and designed to deliver long service life with advantages to meet any application. Kubota's E-TVCS Indirect injection combustion system keeps noise levels to a minimum and the 'Super Glow' system comes as standard to shorten pre heat time and quicken engine starting in cold weather.



POWERED by **HONDA**
28hpGX690

The Honda V Twin petrol engine offers more power for less fuel consumption. It is one of the quietest petrol engines on the market and is well suited for the rigorous demands of the earth moving environment. Honda's renowned reliability ensures consistent and smooth operation.

- ✔ Fuel efficient operation
- ✔ High output performance
- ✔ Reliable
- ✔ Easy to use and maintain
- ✔ Quiet
- ✔ Easy start

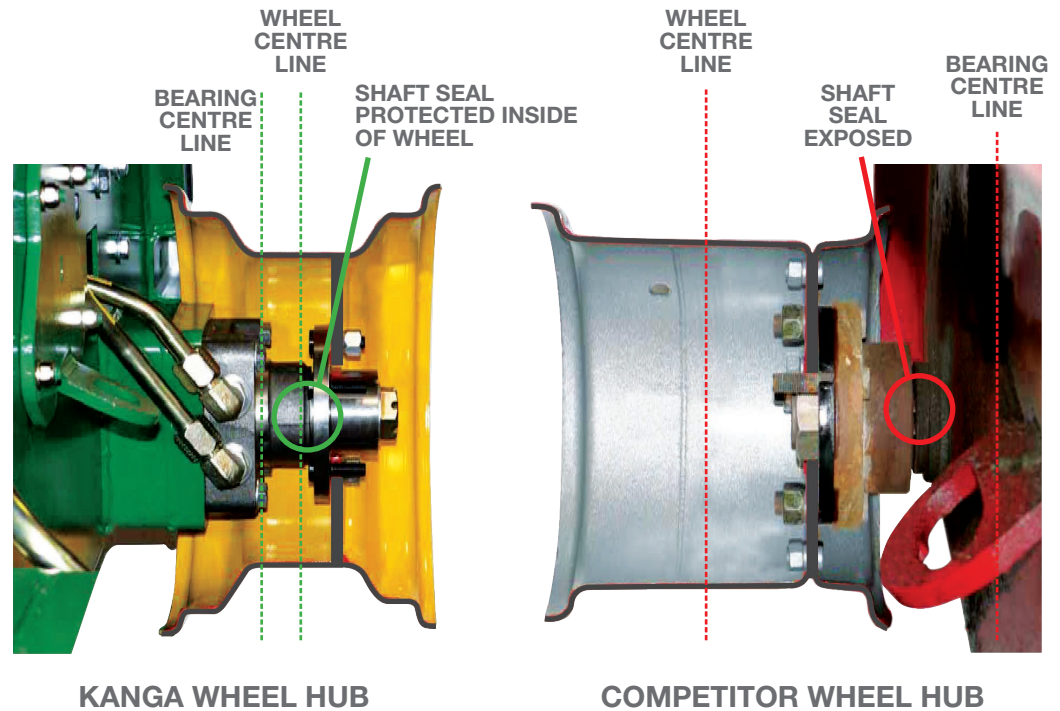


Load Engineering

At Kanga we know that machinery should be engineered to place the least possible load and stress on its components.

Thanks to our extensive research and development, Kanga Loaders are engineered to perform and last. We have engineered our machines to take the load for longer with minimal maintainance:

- ✔ The compact design means zero overhang so the wheel load is placed directly over the bearings resulting in the longest possible service life.
- ✔ The zero overhang helps to protect against seal damage from stringy weeds, stringy bark mulch and string entanglement preventing unnecessary maintenance and premature seal failures.
- ✔ Our simple, well designed wheel motor allows for quick and simple servicing and wheel motor removal/replacement.
- ✔ Our Kanga design ensures long life and minimal maintenance, keeping you working longer.



KANGA WHEEL HUB

COMPETITOR WHEEL HUB

STANDARD SAFETY FEATURES

Large operators platform

Allowing the operator a wider stance for improved safety and fatigue reduction.



Safety cell

The operator is enclosed within the operating platform. It has side bump protection on tanks providing additional support on rough terrain.



Safety auxiliary cut out

The hydraulic flow will neutralize when no operator is present on the operators platform.



Safety relief valve

The lift circuit is set at 2400psi to protect the operator from overloading the machine.

Stability carrying the load with generous bucket rollback

The arms fully lower to aid filling and provide safe transportation without load spillage.

Oil safety cut out switch

The mercury switch sensor detects low oil level and will immediately shut off to protect the engine.

Every Kanga is engineered for SAFE, user-friendly operation and peace of mind.

Since inventing the mini loader in 1980, Kanga have continued to lead the industry in SAFETY, INNOVATION and PERFORMANCE. Australian owned and built Kanga adheres to government guidelines for Workplace Health and Safety and operates under World's Best Practices incorporating H.A.V. (Hand Arm Vibration) standards as well as internationally recognized Risk Management studies and procedures.

DESIGN - STRENGTH - EASE OF OPERATION - VALUE - REPUTATION - WARRANTY

Since 1981 Kanga's vision and core focus have always been based upon innovation and customer safety. The Kanga Klean program brings both of these elements together. Through innovative market research and extensive product development the Kanga Klean program gave us astounding results reducing diesel particulate matter and carbon monoxide emission, without compromising performance.



At Kanga we make it our business to understand yours

To ensure you don't miss a job you need equipment that is safe, reliable, rugged and easy to operate and maintain. Kanga equipment has been designed to enhance your bottom line, and we back it with one of the most comprehensive sales and service networks in the industry.

Custom packages

Designed to give you the leading edge, we offer custom built industry specific packages to suit your individual needs. Ask us about how our custom packages can help you.



Over 70 attachments

Kanga offer a vast selection of attachments available for the 6 Series ensuring you can use your skid steer in most situations to get the job done quickly with minimum fuss.

- 4 in 1 Bucket
- Trencher
- Rotary Tiller
- Auger Drive
- Augers
- Carryall Leveller
- Multi-Purpose Tool Bar
- Bucket Broom

- Cement Mixer Bowl
- Dozer Blade
- Forks
- Rock Grab
- Rippers
- Mulch Bucket
- Power Rake
- Lawn Aerator
- Front Hoe

- Rubble Bucket
- Turf Cutter
- Tow Hitch
- Hydraulic Breaker
- Debris Puller
- Back Hoe
- Grapple Bucket
- Vinyl Stripper

KEY PERFORMANCE FEATURES

Improved soft touch controls

- Even smoother to drive.
- Improved operator ergonomics.
- Improved safety with safety cut out switch if no operator present.

Self Levelling Bucket

Kanga's buckets ensure safe, fast, easy operation without the danger of load spillage over the operator - the only Mini Loader in today's market with this feature.

Auto Auxiliary Cut Out

The large operator platform allows for a wide stance to improve operator safety and reduces fatigue. If the operator moves off the platform the hydraulic power will automatically shut down.

Long Life Linkage Pins

Greasable pins with hardened steel bushes.

Safety Relief Valve

Prevents operator from overloading the machine

Machine Balance

Superior design enables loader to remain balanced either fully loaded or bucket removed

Rupture Resistant Fuel Tanks

Twin long range 50L heavy gauge steel fuel tanks allow up to 10 hours operation. Work a whole day without the hassle of refueling.

Four enclosed and Hi-torque hydraulic wheel motors

Preventing damage, yet easily accessible, giving you increased performance when breaking ground and trenching.

OPTIONAL EXTRAS

Performance

- Oil cooler - to maintain the oil temperature for optimal performance.
- Trenching valve - ideal for trenching, you can set the valve to control the flow from the attachments to the wheel.
- Colour customise your machine to match the rest of your fleet/corporate colours.
- 5" Donaldson air cleaner filter with a full view plastic bowl lets the you easily see when a service is needed - it's an industry best and comes as standard on diesel models.

Operator Comfort

- Remote key switch ergonomic design - taking into consideration operator comfort, it comes as standard with oil pressure, charge lights and hour meter.
- Choke ergonomic design - taking into consideration operator comfort.

Operator Safety

- Horn - a warning noise made when you press it, it is often required for OH&S purposes.
- Headlights with a reflector and lens mounted at the front of the machine.
- Handbrake - a park brake operated by hand (extra safety brake).
- Spare wheel bracket - a location to carry your spare wheel in case of puncture when on site.
- Emergency stop button shuts down the machine functions in the event of an emergency.
- Reverse beeper - a sound device fitted to alert personnel of a reversing machine.
- Back protection bars - an extension of the safety cell used to encapsulate the operator when operating in a confined space. The bars protect the rear of the machine from unnecessary damage.
- Case drain kit - drains the pressure from the attachment motor. Ideal for the hydraulic stump grinder and vibrating, plough attachments.
- Battery isolator switch - to enable machine lock out. Provision for a padlock also available.
- Stop light at rear of the machine that is activated when the machine is at idle or operator hands are removed from levers.
- Flashing amber beacon light used for safety purposes.
- Rear dig legs - fitted to the machine to aid stabilisation & increase the down pressure.



INNOVATING SINCE 1981

KANGA - THE WORLD'S FIRST MINI LOADER

Since being established in 1978 as Jaden Engineering the Kanga Loader has been a source of innovation in the multi-task compact skid steer market. Starting with the original idea and prototype in 1980 and developing through with the first production model in 1981 Kanga have been constantly setting the standard higher.



1978



1980



1981



1984



1985



1986



1988

1978

The original idea - a motorized wheel barrow

1980

The first prototype a walk behind, slow and awkward

1981

The first stand on unit was produced and manufactured based on the initial prototype.

1984

First maxi prototype originally called the Dingo 1000

1985

Jaden Maxi only 3 cyl, 22hp Kubota Diesel Engine. Manufacturing rights illegally sold, resulting in renaming to the Jaden Loader

1986

Mk1 a major design revision adding horse power with improved poise and balance

1988

2 Series - long range fuel tanks beginning to be developed

1989

3 Series - long range fuel tanks, standard colours Awarded the Australian International Design Award

1996

4 Series - First model with 10" wheels & larger fuel tanks

1997

Renamed as the Kanga with the start of export to North America & New Zealand

1999

24HP Vee twin engines introduced to the 4 series

2000

5 series - an evolution from the 4 series with safety leading to auto AUX cutout

Kanga Kid Mini Skid Loader, introduced the smallest on the market

2002

The Kanga Kid Track Mini Skid Loader released - the smallest track machine in the world

2004

6 & 7 series released

Finalist Australian Export Award

Winner Premier of Queensland Export Award

2006

25HP 2 speed 8 series released, the largest and most powerful model in the range

2007

Highly commended Innovative Product of the Year; Manufacturing - Endeavour Award, Manufacturer's Monthly

5-6-7-A series updated to 4 wheel motors, wider platform increasing performance and comfort

2008

Commenced development of the Kanga Remote Loader and first prototype released

2009

Kanga was acquired by Digga Australia

2010

Kanga Warrior was released

2011

Kanga Remote Loader re-released

2013

Kanga Midi Range Loader released

2014

Kanga release the Kanga Klean program which was an industry first in emissions reduction.

2016

Kanga release DT835 the most powerful Kanga mini loader with new Korr lighting



2016



2015



2014



2013



2011



2010



2007



1989



1996



1999



2000



2002



2004



PERFORMANCE	PW628		DW625	
Max. Lift Capacity	250 kg	551 lbs	250 kg	551 lbs
Travel Speed	7 km/h	4.3 mph	7.5 km/h	4.7 mph
Operating Weight (Machine Only with water filled tyres)	878 kg	1935 lbs	950 kg	2094 lbs
Fuel Capacity	45 L	11.8 gal	45 L	11.8 gal
Fuel Type	Unleaded or Premium Unleaded		Diesel Fuel	
ENGINE	PW628		DW625	
Manufacturer	Honda GX690		Kubota D902	
Net Power (SAE Class J1349)	16.5 kW	22.1 hp*	17.5 kW	23.5 hp*
Gross Power (SAE Class J1995)	20.8 kW	28 hp*	18.5 kW	25 hp*
Max Torque	48.34 Nm		56.0 Nm	
DRIVE SYSTEM	PW628		DW625	
Drive Control	Soft Touch Hand Levers		Soft Touch Hand Levers	
Throttle Control	Hand Levers		Hand Lever	
Wheels	Direct Drive Hydraulics Motors		Direct Drive Hydraulics Motors	
Tyres	23" Lug Tyres Water Filled		23" Lug Tyres Water Filled	
HYDRAULICS	PW628		DW625	
Gear Pump Displacement	11.3 cc/rev	0.69 cu.in/rev	12.5 cc/rev	0.76 cu.in/rev
Pump Output	41 L/min	10.75 US gal/min	45 L/min	11.9 USgal/min
System Pressure	207 bar	3000 psi	220 bar	3200 psi
Hyd. Reservoir Capacity	70 L	17.4 US gal	70 L	17.4 US gal
BUCKETS	PW628		DW625	
Standard & 4 in 1 Bucket Capacity	0.1 m ³	3.5 cu.ft	0.1m ³	3.5 cu.ft
DIMENSIONS	PW628		DW625	
A Max Operating Height	2500mm	98.4"	2500mm	98.4"
B Height to Hinge Pin	1855mm	73"	1855mm	73"
C Overall Height	1340mm	52.8"	1340mm	52.8"
D Overall Length With Bucket	2200mm	86.6"	2200mm	86.6"
E Overall Wheel Width	1030mm	40.6"	1030mm	40.6"
F Bucket Reach at 40°	410mm	16.1"	410mm	16.1"
Bucket Max Reach (Level)	1020mm	40.1"	1020mm	40.1"
G Dump Height Std. Bucket	1130mm	44.5"	1130mm	44.5"
Dump Height 4 in 1 Bucket	1855mm	73.0"	1855mm	73.0"
H Bucket Width	1050mm	41.3"	1050mm	41.3"
I Bucket Max Roll Back	40°		40°	
J Bucket Max Dump Angle	60°		60°	
K Ground Penetration	430mm	16.9"	430mm	16.9"
L Overall Length Less Bucket	1660mm	65.4"	1660mm	65.4"
M Ground Clearance	185mm	7.3"	185mm	7.3"
N Angle of Departure	40°		40°	
Approach Angle	90°		90°	



Australian Designed
Australian Made
Australian Owned

Engine Warranty*

- Diesel 2 Years/Unlimited
- Petrol 3 Years/Unlimited

**Commercial Product Warranty -
2 Years/1000hrs***

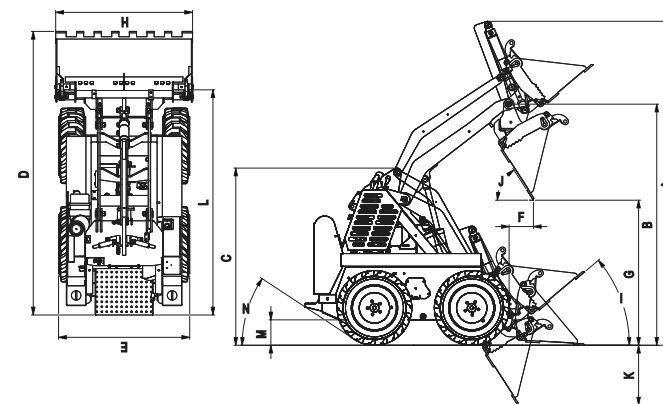
*Warranty Conditions Apply



Telephone: 1300-4-KANGA

For the complete range of Kanga Loaders, visit

www.kangaloader.com



Dealer Stamp

* The Power ratings of the engine indicated in this document are the power of the production engine only and are measured in accordance with SAE J 1349 and SAE J1995 at 3600 rpm. Mass production engines may vary from this value, Actual power output for the engine installed in the final machine may vary depending on numerous factors, including operation speed of the engine in application, environmental conditions and other variables.